

# ELECRAFT KAT2 AUTOMATIC ANTENNA TUNER

## Assembly and Operating Instructions

Revision D, March 22, 2001. Copyright © 2001, Elecraft; All Rights Reserved

### Introduction

The KAT2 internal automatic antenna tuner (ATU) allows nearly any antenna to be connected directly to the K2 and used on most if not all bands. The L-network configuration provides a wide impedance-matching range, and can be used directly with coax-fed or end-fed wire antennas, or with balanced feedlines via a balun. Unlike some internal auto-tuners, the KAT2 functions on receive as well as transmit. This provides an increase in receive sensitivity and improves rejection of out-of-band signals.

The KAT2 uses latching relays to reduce current drain to nearly zero except when actually tuning. These relays select appropriate combinations of inductance and capacitance, as well as either a capacitor-in or capacitor-out L-network configuration. Tune-up is controlled by the KAT2's microprocessor, which also supplies SWR or power information to be displayed on the K2's LCD. Once a match has been found, the L, C, and other matching network data are stored in EEPROM so that the settings can be recalled immediately on any band change. ATU parameters (L, C, SWR, etc.) can also be viewed using the menu.

Two antenna jacks are provided on the ATU, with the matching network data for both antennas stored on a per-band basis. Once an initial match has been obtained for both antennas on a particular band, the operator can tap the **ANT 1/2** button on the front panel to switch between them. Since the relays take only a small fraction of a second to switch, it becomes practical to quickly try both antennas anytime the distant station is weak, an advantage during contest operation.

### Specifications

L - C Ranges	L: approx. 0-20 $\mu$ H in 256 steps; C: approx. 0-2400 pF in 256 steps
Network Type	L-network (series L, shunt C); C switchable to transceiver or antenna side
SWR Range Matched	Up to 10:1 typ. (varies with band; smaller range on lowest/highest bands)
Tuning time	1 to 5 seconds typical for initial tune-up; < 1/2 sec. to recall stored settings
SWR Display	1.0:1 to 9.9:1
Power Display	0-20 watts (approx.); forward and reflected power shown in 0.1-w increments
Current Drain	Approx. 10-30 mA during TUNE; < 5 mA at all other times
Size	4.2" (L) x 1.6" (D) x 1.5" (H) (10.7 x 4.0 x 3.8 cm)

## Parts Inventory

The table below lists all parts in the kit. If you have trouble identifying any of these items, consult the K2 Owner's manual, which has photographs of similar parts.

Components on KAT2 Module		
Ref.	Description	Qty.
C1	Capacitor, 10 pF, 500 V NPO disc	1
C2	Capacitor, 22 pF, 500 V NPO disc	1
C3	Capacitor, 39 pF, 500 V NPO disc	1
C4	Capacitor, 82 pF, 500 V NPO disc	1
C5	Capacitor, 150 pF, 500 V NPO disc	1
C6	Capacitor, 300 pF, 500 V silver mica, CDE FD301J03	1
C7	Capacitor, 620 pF, 500 V silver mica, CDE FD621J03	1
C8	Capacitor, 1200 pF, 500 V silver mica, CDE FD122J03	1
C20-27, C31-38, C42, C45-47, C50-C53, C57, C60	Capacitor, .001 $\mu$ F, 25 V ("102")	26
C58, C59	Capacitor, 0.1 $\mu$ F, 25 V ("104")	2
C54	Capacitor, 100 pF, 200 V, NPO disc ("101")	1
C55	Ceramic trimmer, 5-30 pF	1
D1, D2	Diode, 1N5711	2
E1	Screw terminal, PC-mount, Keystone #8190	1
J1, J2	BNC jack, PC-mount	2
J4, J5	Conn., 16-pin female, .1" spcg., gold, Samtec ESW-116-23-G-S	2
J3	Not used (connections are soldered; see text)	0
K1-K18	DPDT latching relay	18
L1-L7	Toroidal inductor, T50-2 core (RED); see text	7
L8	Toroidal inductor, T50-1 core (BLUE); see text	1
P4, P5	Conn., 16-pin male, .1", gold, Samtec MTSW-116-22-G-S-420	2
R1, R2	Trimmer potentiometer, 100K	2
R6	Resistor, 47 $\Omega$ , 5%, 1/4-watt (yellow-violet-black)	1
R3	Resistor, 200 $\Omega$ , 5%, 1/4-watt (red-black-brown)	1
R5	Resistor, 470 $\Omega$ , 5%, 1/4-watt (yellow-violet-brown)	1
R4	Resistor, 3.3 K, 5%, 1/4-watt (orange-orange-red)	1
T1	Toroidal transformer, FT37-43 core (gray); see text	1
U1	IC, Microcontroller, 16C77	1
U2	IC, EEPROM, 25LC320	1
U3	IC, 6-volt regulator, 78L06	1
U4	IC, Op-amp, LM358	1
Z1	Ceramic resonator w/internal capacitors, 4.0 MHz	1

Hardware and Miscellaneous		
Ref.	Description	Qty.
HDWR	Rubber insulator, 0.5" dia. (round, black), p/n 6135-017-BLK	6
HDWR	Socket for U1, 40 pins, open frame	1
J7	Conn., 2-pin housing, 0.156", Digikey WM2111	1
HDWR	Female crimp pin for J7, gold, Digikey WM2305	2
J8	Conn., 10-pin dual-row 0.1" housing, Digikey WM2522	1
HDWR	Female crimp pin for J8, tin, Digikey WM2556	12
RF-P6	Conn., 2p male, 0.156", gold, Digikey WM5224	1
HDWR	#4 split lock washer	6
HDWR	4-40 x 1/4" ZN ST Phillips machine screw	4
HDWR	Standoff, 3/16" dia. x 13/16", 4-40 thd, RAF #1642-440-A	2
HDWR	Binding post, black, 6-32 threaded, Keystone #7007	1
HDWR	BNC connector cap, black plastic, 3/8" dia. x 1/2" long	1
MISC	Enamel wire, #26 Thermaleze, GREEN	2 ft.
MISC	Enamel wire, #26 Thermaleze, RED	10 ft.
MISC	Insulated hookup wire, #24, solid	1 ft.
MISC	Cable, 4-conductor + shield, Digikey W404-X-ND	2 ft.
MISC	Coaxial cable, RG-174	1 ft.
MISC	KAT2 Control board	1
MISC	KAT2 L-C board	1
MISC	Cable ties, 3"	4



**Caution:** Some components in this kit can be damaged by static discharge. Before handling any transistors or integrated circuits, always put on an anti-static wrist strap or touch any grounded, unpainted metal surface.

## K2 Firmware Requirements

To use the KAT2 antenna tuner, you'll need K2 main processor firmware revision **1.04** or later. (The main processor is U6 on the K2's control board.) Revision **1.05** or later is recommended, since it provides additional ATU operating features (see **Using the ATU**). The latest K2 firmware revision can be ordered as an upgrade (refer to our web page for details).

To check your main processor firmware revision, hold any button when powering up the K2. The number shown at the left end of the display is the revision number. If you have an older version, contact Elecraft.

## ATU Control Board Assembly



A fine-point, temperature-controlled soldering iron (700-800 degrees F) is required to assemble this kit, due to the high density of the PC board layout. A high-wattage iron or one with a wide tip may damage components, pads, or traces. Use a minimum amount of solder to avoid ground shorts.



To avoid difficulties in soldering adjacent components, install components only in the order described below. Double-check all values before soldering, since removing parts from double-sided PC boards can be difficult.



There are two identically-sized PC boards in the ATU kit. Locate the **ATU Control board**, which is labeled "ATU CTRL" on the bottom. Set the **L-C board** aside for now.



Referring to the parts list (page 2), install R3, R4, and R5. Note: R6 (47  $\Omega$ ) and R5 (470  $\Omega$ ) have very similar color codes. Be sure to install the 470- $\Omega$  resistor at R5 (yellow-violet-brown).



Install D1 and D2 (1N5711), observing proper orientation of the banded end of each diode.



Install the capacitors listed below. The capacitor markings are shown (e.g., "102" = .001  $\mu$ F).

__ C57 (102)	__ C58 (104)	__ C60 (102)	__ C59 (104)	__ C53 (102)
__ C52 (102)	__ C45 (102)	__ C46 (102)	__ C47 (102)	__ C54 (101)
__ C50 (102)	__ C51 (102)			



Ceramic resonator Z1 looks like a capacitor with three leads. It is not polarized, so it can be installed in either orientation. Install Z1 near U1.



The IC socket to be installed in the next step is an *open-frame* type. A smaller IC (U4) will be installed within an opening in this socket. Do not substitute any other socket type.



Install the 40-pin IC socket for U1, with the notched end of the socket oriented towards pin 1.



Install voltage regulator U3, which has a 3-lead package like a transistor.



(Note: Touch a grounded metal surface before handling the following components.) Install the two 8-pin ICs, U2 (25LC320) and U4 (LM358), with the notched end of each IC oriented as indicated by its component outline. Note that U4 fits *within* the opening in U1's 40-pin IC socket.



The two latching relays, K17 and K18, must be installed with their white-striped ends oriented as indicated on the PC board. **Do not bend the relay leads.** Solder two diagonal corner pins on each relay first, then re-heat the connections and press the relays flat on the board before soldering the remaining pins.

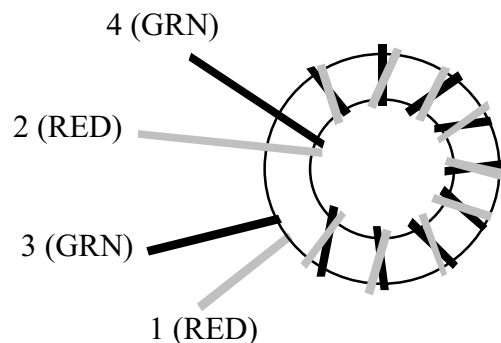
Install BNC jacks J1 and J2. **These connectors must be seated flat on the PC board and aligned with the board's edge to allow for proper installation in the top cover.** Solder one of the alignment pins first, then re-heat the connection while pressing down on the jack. Once you're sure the connector is seated correctly, solder the other pins.

Install screw terminal E1. (If E1 was supplied with a screw, remove it. The screw will not be used.) Like J1 and J2, this component's alignment is critical. Use the same mounting technique.

Transformer T1 is wound on a dark gray toroidal core (ferrite, 3/8" [9 mm] diameter). Cut two 10" (25 cm) lengths of #26 enamel wire, one red and one green. Twist the two wires together loosely, crossing over each other about 2 to 3 times per inch (once per cm). Then wind the twisted wires onto the core as shown below, using **10 turns**. Each pass *through* the core counts as one turn.



**T1 must be wound exactly as shown, with leads 1 and 3 emerging from the back side of the core and leads 2 and 4 from the front side.**



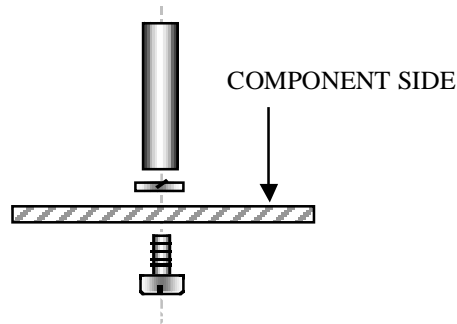
Trim the leads of T1 to about 1/2" (12 mm) long. Completely remove the insulation from T1's leads up to the edge of the core, using a solder pot or hot soldering iron tip. Do not attempt to burn off the insulation using a match or lighter, as the flame may fuse the pairs of wire together, causing them to become shorted. Another way to remove the insulation is to use fine sand paper.

Tin T1's leads with solder. If the leads do not tin easily, the insulation may not be fully removed.

Using an ohmmeter, measure between the red and green wires to make sure that they're not shorted.

Install T1 as indicated by its PC board outline near the right end of the board. Insert the leads into the numbered holes as shown by the drawing of T1, above. Pull the leads taut on the bottom of the board. Before soldering, use a magnifying glass to make sure that the entire portion of exposed lead is properly tinned.

- Cut a 1-1/8" (2.9 cm) length of insulated, solid-conductor hookup wire. Remove exactly 1/4" (6 mm) of insulation from each end. This jumper will form the 1-turn link winding of T1.
- Insert one end of this wire through the center of T1 and into the pad labeled **5**. Bend the wire down to the right and insert the other end into the pad labeled **6**. Pull the leads of the wire taut on the bottom of the board, then solder.
- Trimmer potentiometers R1 and R2 mount on the bottom of the ATU Control board. Press them down as far as possible before soldering.
- Set both trimmers fully clockwise as viewed from the bottom of the board.
- Install trimmer capacitor C55 on the bottom of the board.
- Locate the two 13/16" long (20.5 mm) standoffs. Install one standoff at each end of Control board using a 4-40 x 1/4" screw and one split lock washer. Refer to the end view below.



**Note:** The microprocessor and connectors J4 and J5 will be installed later.

### ATU L-C Board Assembly



All L-C Board components should be mounted in the order given here. Any other assembly order may make soldering or mechanical alignment difficult. Also, the components must be mounted as close as possible to the board using short leads. Follow all instructions carefully.

- Install .001  $\mu$ F ("102") capacitors C20-C27 on the top of the L-C Board (the side with L1-L8 and C1-C8). There should be no excess lead length above the board.
- Install .001  $\mu$ F capacitors C31-C35, C37-C38, and C42. **Do not install C36 at this time.**
- Trim all capacitor leads on the bottom of the board to the shortest length possible.

Install relays K1-K16 on the bottom of the L-C Board as follows. First, position all 16 relays on the board, *without soldering*. Align the white stripe on each relay with the striped end of its component outline. (Note that the relays are in two rows that face in opposite directions.) Next, hold the relays in place using a flat object such as a hard-cover book. Flip the PC board and flat object over together, then examine the relays to make sure they are all still flat against the board.

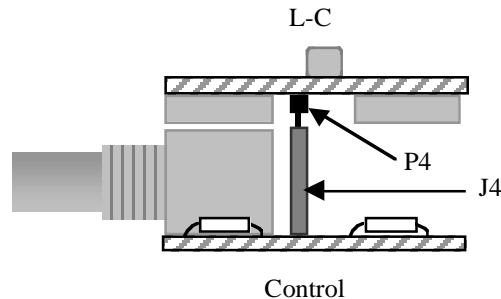
Solder two diagonally-opposite corner pins on each relay. **Look at all relays once more to verify that they are not spaced any distance away from the board.** Then solder all the remaining pins.



The following step is very important. Normally, relay pins need not be trimmed. But in this case components will be mounted *above* the pins, so trimming them is necessary to prevent shorts. Trimming must be done after soldering to prevent mechanical damage to the relay pins.

Trim all relays leads to the shortest possible length. Use flush-cut type diagonal cutters if available. Note: Wear eye protection and aim the leads away from you when cutting. Trimming the leads over a waste basket will eliminate cleanup.

**Refer to the drawing below during the following steps.** This left end view shows how the L-C and Control boards will appear when connected together. Relays K1 and K2 can be seen on the bottom of the L-C board, along with 16-pin male connector P4. On the control board, J2 (BNC), R5, and R6 are visible, as well as 16-pin female connector J4. The 13/16" standoffs are omitted for clarity.



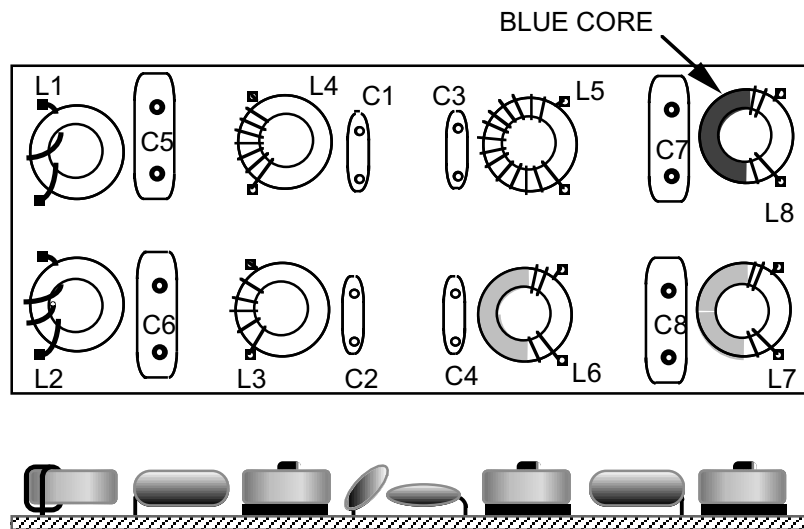
Locate the two 16-pin male connectors, P4 and P5. These connectors must be installed on the bottom of the L-C board, between the two rows of relays (see above). Do not solder all pins of P4 and P5 at this time. Instead, position the connectors, then solder only pins 1 and 16 on each connector. Make sure the connectors are perpendicular to the board.

Install the two 16-pin female connectors, J4 and J5, on the top of the Control board as shown above. Solder only pins 1 and 16 of each connector. Make sure the connectors are perpendicular to the board.

Plug the L-C board into the Control board as shown, mating P4 with J4 and P5 with J5. Be very careful to avoid bending any pins on P4 and P5. Once the boards are properly mated, secure the L-C board to the Control board standoffs temporarily using two 4-40 screws.

- Press the two boards tightly together at both ends and in the middle. Once the 16-pin connectors appear to be perpendicular to the boards and seated completely flat, solder all pins of P4, P5, J4, and J5.
- Remove the screws holding the L-C board to the two standoffs. Then unplug the L-C board from the Control board using the following method: Using a small screwdriver or Allen wrench, pry P4 upwards a small amount, then pry P5 upwards a small amount, repeating this until the L-C board can be easily unplugged. **Do not pull the boards apart directly, as this may bend pins on P4 and P5.**
- Some pins on the bottom of the Control board must be trimmed to prevent shorting to the K160RX option module.** Trim the pins of the following components: E1, J5, C45, C46, C47, and J1 (signal pins only, not the large ground posts).
- Carefully examine the entire ATU Control board for solder splashes or unsoldered pins (both sides).
- Install C36 on the L-C board (.001  $\mu$ F, "102").

**Refer to the drawing below during the following steps.** The top view shows the approximate location of the windings and pads for each inductor. The side view shows how capacitors C1-C8 and inductors L1-L8 must be mounted, including round rubber insulators for L3-L8.



- Install C4 (82 pF) as shown above. Trim the leads to about 1/8" (3 mm) long, and bend them down at right angles to the capacitor body. (Adjust the lead spacing to match the pads.) Insert the leads into the C4 pads just far enough to hold the capacitor in place. Do not insert the leads all the way through the board. They could puncture the relay on the opposite side **during soldering, causing a short.**
- Solder C4. Adjust the body of the capacitor so that it is parallel to the board and not overlapping the location for C2 or L6. Also make sure it doesn't touch any relay pins or pads.

- Install C3 (39 pF) in the same manner as C4.
- Install C1 (10 pF) and C2 (22 pF) as shown in the drawing, with the bodies of the capacitors tilted over C3 and C4, respectively, at about a 45-degree angle.
- Install C5 (150 pF), C6 (300), C7 (620) and C8 (1200). The bodies of these capacitors should be parallel to the board and not interfering with adjacent components.



In the following steps, L1 through L8 will be wound and installed. *There is no need to adjust the windings to precisely match the inductances shown on the schematic.* The inductances need only be approximate, since for any given antenna match only a subset of the inductors will be used.

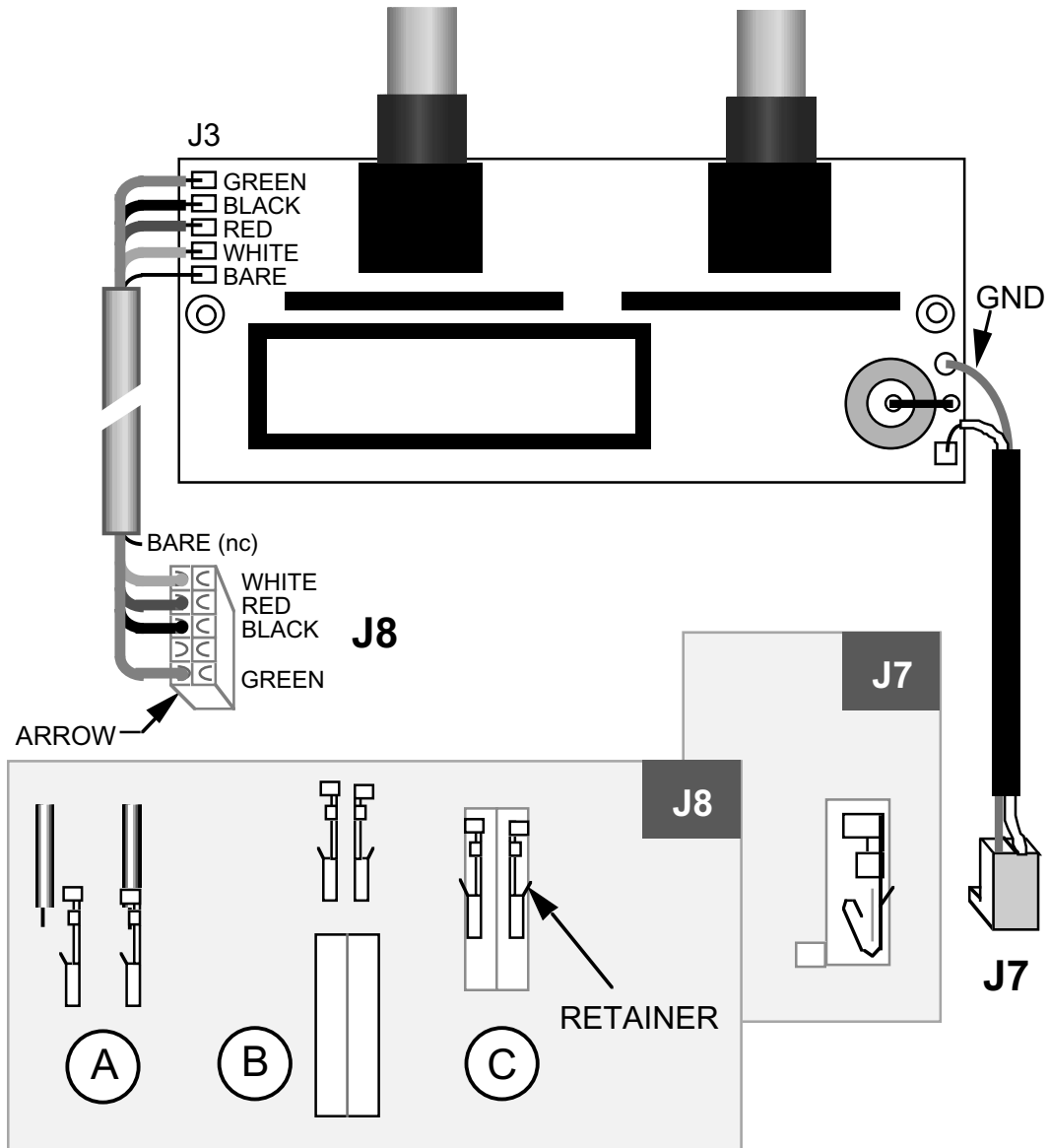
- Cut a 2-1/8" (5.5 cm) length of insulated hookup wire. Remove 1/8" (3 mm) of insulation from each end. Wind this wire onto a red toroid core as shown in the top view of the L-C board (2 turns).
- Position L1 and its winding so that you can insert the leads into the indicated square pads. Before soldering, make sure that the insulated wire is positioned away from relay leads. Note: The toroid core may remain somewhat loose within the winding after installation. This will not affect performance.
- Cut a 2-7/8" (7.5 cm) length of hookup wire. Remove 1/8" (3 mm) of insulation from each end. Wind this wire onto L2 (3 turns). Install L2 in the same manner as L1.
- Wind L3 through L8 using **red** enamel wire and the number of turns listed below. Position the turns as shown in the top view of the L-C Board. **Note that L8 uses a blue core, while all others use red cores.**

- |   |  |
|---|--|
| <input type="checkbox"/> L3 (5 turns, 5" [12 cm])   | <input type="checkbox"/> L4 (7 turns, 6" [15 cm])              |
| <input type="checkbox"/> L5 (15 turns, 12" [30 cm]) | <input type="checkbox"/> L6 (22 turns, 17" [42 cm])            |
| <input type="checkbox"/> L7 (30 turns, 23" [58 cm]) | <input type="checkbox"/> L8 (31 turns, 24" [61 cm], BLUE core) |

- Trim the leads of all toroids to about 1/2" (12 mm). Completely remove the insulation to within about 1/8" (3 mm) of the core, using the same method used for T1. Tin the leads. If solder does not adhere well to the leads, you may not have removed all of the insulation.
- Install L3 as shown in the drawing. (Note: To avoid damage to the rubber insulators, they will be not be installed until the next step.) Trim the leads so that when they are inserted into their holes, L3 sits approximately 1/16" (2 mm) above the relay pads beneath.
- Fold L3 up and place a rubber insulator underneath it. The insulator has a stem in the center that goes through the core to hold it in place. Fold the toroid and insulator back down flat on the board. Inspect the windings to make sure they don't touch any adjacent relay pads.
- Install L4-L8 in the same manner as L3.
- Examine the L-C board for solder splashes or unsoldered pins (both sides).

## Cable Assemblies

The drawing below shows the two cable assemblies that connect the ATU to the K2. A four-conductor shielded cable is used for control signals (J3 to J8), and an RG-174 coax cable is used for RF (J7). J8 will be connected to the K2's Control board. J7 will be connected to the RF board, near the low-pass filters.



- Cut one 15" (38 cm) length of the 4-conductor cable. Remove 3/4" (2 cm) of the gray jacket from each end of the cable using a razor blade. Be very careful not to nick the conductors.
- Carefully cut away the exposed portion of the foil shield. Once the wires are visible, examine them for nicks. If any of the wires are nicked, cut all of the wires off and repeat the previous step.
- Grip one of the insulated wires near the end using long-nose pliers, then strip off about 1/8" (3 mm) of the insulation using a wire-stripping tool. (If you don't have a wire-stripping tool, gently roll the wire across a razor blade to cut the insulation to the indicated length.) Similarly, strip the remaining insulated wires at both ends of the cable. Tin the ends of each wire.
- Solder the five wires at one end of the cable to the ATU Control board pads indicated in the illustration on the previous page. Make sure the bare wire's strands are tightly twisted together before soldering. Note: The wires are not shown at their actual lengths in the drawing.
- At the other end of the cable, cut the bare wire off.
- Two sizes of crimp pins are supplied with the kit. The smaller pins are used at J8. (12 are supplied, two of which are spares.) Attach crimp pins to each of the four insulated wires as shown in **Detail A**. The insulated part of the wire can be held in place by squeezing together the tabs at the end. A second pair of tabs is provided to hold the wire itself in place. Solder the wire to these tabs, using only the amount of solder needed to make a clean connection. Excess solder may prevent insertion of the pin into the housing.
- Locate the 10-pin housing for J8, and study the J8 detail drawings before attempting to assemble the connector. **Detail B** shows the proper orientation of the crimp pins as they are inserted into the housing. **Detail C** shows the retainer tabs on the crimp pins. When a crimp pin is correctly inserted, its retainer will be visible through a hole in the side of the housing. The two rows of crimp pins face opposite directions.
- You'll find an arrow on the housing near one of the small holes. Insert the green wire's crimp pin into the associated *large* hole at the other end of the housing. Refer again to Details B and C.
- Insert the remaining wires (with crimp pins) into the locations indicated. To provide good retention of the connector when plugged in, you should also install crimp pins into each unused location of J8 as shown.
- Check continuity of all connections between J8 (10-pin housing) and J3 (KAT2 control board end).
- Cut the RG-174 coaxial cable in half to obtain two approx. 6" (15 cm) lengths. (Save one as a spare.) Remove 3/4" (2 cm) of insulation from each end of the coax, taking care not to nick the braid. Separate the strands of the braid, then twist about 2/3 of the strands together tightly. Trim off the remaining strands.
- Remove about 1/8" (3 mm) of insulation from the center conductor at each end. Tin the wires.
- Solder the braid and center conductor at one end of the coax cable to the pads labeled RF and GND. These pads can be found at the right end of the ATU Control board as shown in the illustration.
- Referring to the detail drawing of J7, attach and solder large crimp pins to the braid and center conductor at the other end of the coax. (Use the same technique used for J8.)
- Insert the two crimp pins into the 2-pin housing (J7) as shown in the drawing. Once each crimp pin is snapped into place, its retainer tab must be visible in a small hole in the connector.

The K2's AUX RF connector (RF-P6) is the same type used for the internal battery connector (RF-P3). **To avoid damage to the ATU or to the K2, add some type of unique marking to RF-P3 and to its mating ATU connector (J7). Use model paint, nail polish, or some other permanent medium.**



Before handling the microprocessor in the following step, touch an unpainted, grounded surface or put on a grounded wrist-strap.

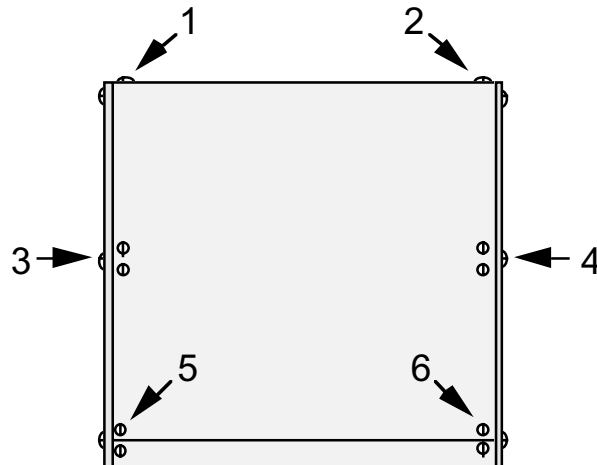
Install U1, the PIC16C77 microprocessor, into its socket on the ATU Control board. The notched or dimpled end of U1 goes to the left (towards R6). Make sure all pins are fully mated and that none are bent.

Plug the L-C board into the Control board as you did earlier, mating P4 with J4 and P5 with J5. Be very careful to avoid bending any pins on P4 and P5. Press the two boards together along their full length.

Secure the L-C board to the Control board standoffs using two 4-40 screws and two #4 split lock washers. **These lock washers go between the standoffs and the PC board, not between the PC board and screws as on the control board.**

Turn the K2 ON and use the **DISPLAY** button to check the receive-mode current drain (for example, "i0.20", which shows the K2 drawing 200 mA or 0.2 amps). Write this number down. Then turn the K2 off and disconnect the power supply and/or battery.

Remove the six screws identified below from the K2 top cover. **Note: screws #3 and 4 must be removed from the side panels, leaving two 2-D fasteners attached to the top cover.** This is very important since leaving these 2-D fasteners on the side panels would interfere with routing of the ATU cables in later steps. If you remove the top cover in the future, always remove only the screws shown.



Remove the top cover by lifting it from the back end. Disconnect the speaker and battery cables.



**Check the orientation of J8 carefully as described below before turning on power. Some components could be damaged if power is applied with J8 plugged in incorrectly. If you have the KIO2 serial interface option installed, J8 must be connected to P1 on the KIO2's "AUX2" junction board rather than directly into the K2 Control board (see KIO2 manual).**

Connect J8 (from the ATU Control board) to P4 (on the K2 Control board). The green wire (indicated by the arrow on J8) corresponds to pin 2 of P4, and that end of J8 should be closest to the top edge of the K2 Control board. Make sure that J8 is mated with all 10 pins of P4.

Mark the arrow end of J8 using model paint, nail polish, or an adhesive label with "UP" written on it.

## Preliminary Tests



**Do not transmit during these tests. Keep the ATU RF connector (J7) disconnected.**

Connect a power supply or battery to the K2 and turn on power. If you see or smell smoke, turn power OFF immediately. Check all connections and refer to the Troubleshooting section if necessary.

Tap **DISPLAY** to check the receive-mode current drain. The reading should be the same as you saw earlier without the ATU module connected, or at most 20 mA higher. (Since current drain resolution is only 20 mA, it could appear to be 20 mA higher even though the actual increase is just a few milliamps.) An increase of more than this could indicate a short on the ATU Control board.

Tap **MENU** and scroll through the entries until you find **ATU**. If the ATU Control board is functioning, you'll see a parameter on the right end of the LCD. Hold **EDIT** to modify the parameter. If you see two dashes (--) instead of the **ATU** parameter, refer to Troubleshooting.

Using the VFO knob, scroll through the **ATU** menu parameters. You may hear relays turning on and off as you select various entries. You should see **CALn**, **CALP**, **CALS**, **AUTO**, **ALT**, **POUT**, etc. Each menu entry will be explained in the **Using the ATU** section.

Set the **ATU** parameter to **L0**. You should hear a relay switch when you move from **L0** to **L1**, then to **L2**, etc., up through **L8**. The same should be true for **C0** through **C8**, as well as **N1** and **N2**. If you don't hear any relays switching, see Troubleshooting.

Set the **ATU** parameter to **AUTO** and exit the menu.

Turn power off and back on. Use the menu to verify that the **ATU** parameter is still set to **AUTO**. If not, U2 on the ATU (the EEPROM) may be installed backwards or have an unsoldered or shorted pin.

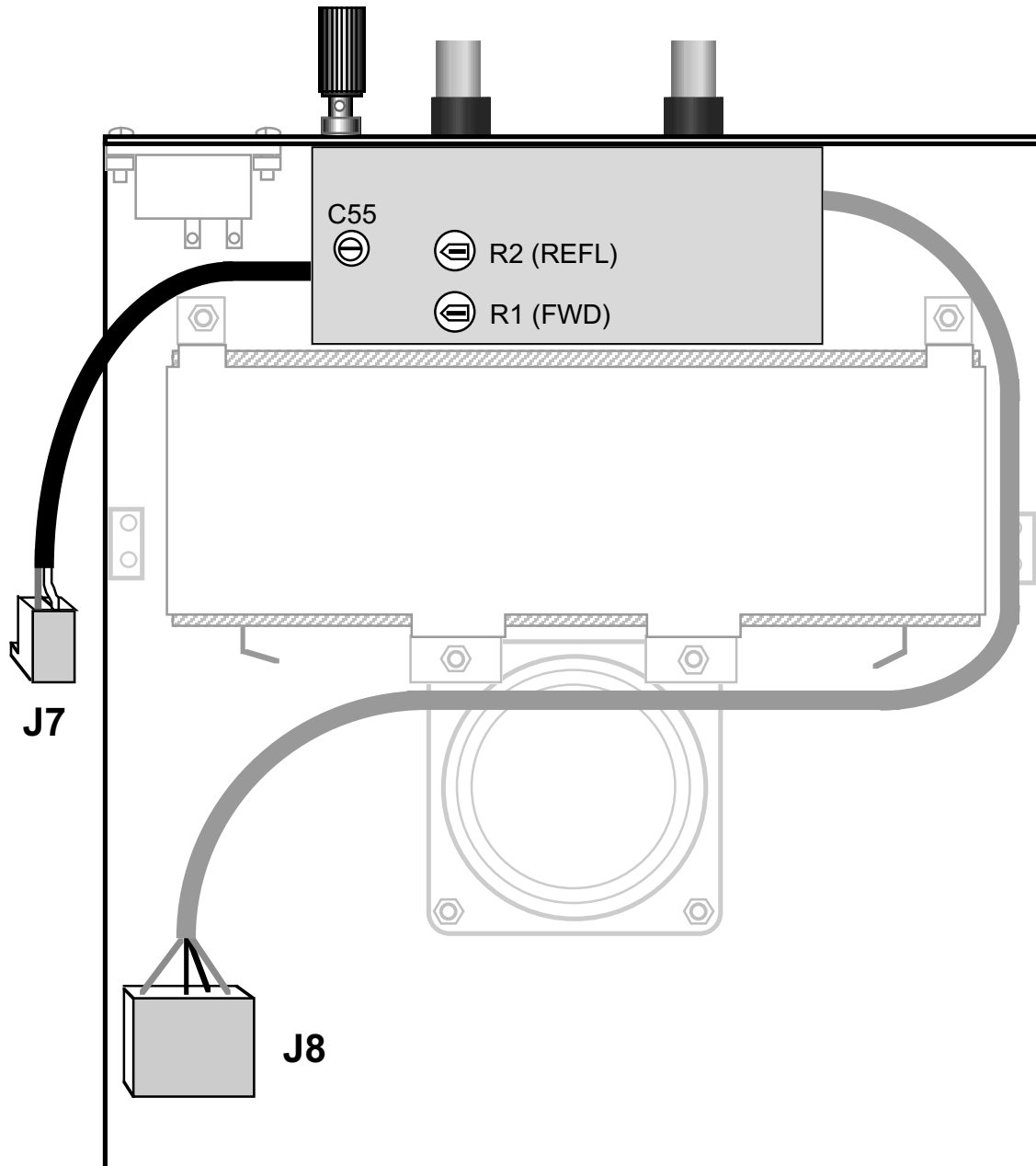
Tap the **ANT 1/2** button, which is below the **DISPLAY** button. You should hear a relay switching, and when antenna 2 is selected the ANT 2 annunciator will turn on. Leave the antenna set to ANT 1.

Turn off the K2 and disconnect the power supply.

Disconnect the ATU control cable (J8) from the K2 Control board.

## ATU Module Installation

The ATU is installed in the top cover as shown below. Refer to this drawing during the following steps.



- If you have the 160-meter module installed (K160RX), remove its retaining screw and unplug the module. Do not remove the RX Antenna connector or detach the 160-meter module from the heat sink.
- Remove the K2's heat sink (6 screws, two 4-40 nuts, and the nuts on the antenna and key jacks), being careful to save all of the hardware, including the PA transistor thermal insulators. The insulators may remain attached to the heat sink, or they may fall off when the heat sink is removed.
- Install and solder the 2-pin male connector at P6 on the K2 RF board, as shown by its outline on the right-hand edge. (P6 is labeled **AUX RF**. Do not confuse P6 with P3, which is labeled **AUX 12V**.) P6 must be oriented so that its plastic polarizing tab is towards the front panel of the K2.
- Carefully examine all hardware associated with the PA transistors, Q7 and Q8, on the bottom of the RF board. If any of the plastic hardware or the thermal insulators appears to be melted or damaged, you should order the **K2 PA Hardware Kit** from Elecraft. **Note: Do not bend the PA transistors upwards any farther than necessary, as this may weaken their leads.**
- Re-install the heat sink using the method described in the K2 Owner's Manual. **Do not over-tighten any of the hardware.**
- Using a DMM on its lowest resistance scale, measure resistance from the collector of each PA transistor (Q7, Q8) to ground. If you see a reading of less than 100  $\Omega$ , the heat sink may be shorted to one of the transistor tabs. Remove the heat sink and correct the short before proceeding.
- Re-install and secure the 160-meter module if applicable.
- Cover the K2's main antenna jack (J4) with the black plastic BNC connector cap. This cap serves as a reminder that the main antenna jack should not be used once the ATU is installed. Only the ATU's two antenna jacks should be used.
- If you have the K2 internal battery installed, you must remove the battery bracket temporarily in order to install the ATU. (There is no need to remove the battery switch.) Before removing the battery bracket, disconnect the (+) terminal lug and cover the terminal with tape.
- Locate the ATU's ground binding post. The 6-32 threaded part of the binding post must fit easily through the hole labeled **GND** on the K2 top cover. Some K2s may have the wrong size hole at this location. If the shaft of the binding post does not fit, carefully enlarge the hole using a small flat-blade screwdriver, file, or other small tool. (The binding post will be installed in a later step.)
- Install the ATU module in the top cover in the location shown (previous page). The bottom of the ATU Control board should be visible. Push the ATU module down into the top cover as far as it will go. This will prevent any possibility of the module touching components on the 160-meter module.
- Secure the ATU module to the top cover using the large lock washers and nuts supplied with the BNC connectors. **The threads on the connectors are plastic and can be easily stripped. Tighten them hand-tight first, then turn them a small additional amount only (about 1/8 turn).**
- If applicable, re-install the internal battery, along with its cushioning material, bracket, and hardware. (Lost hardware may be found sticking to the speaker magnet.)

- Route the ATU control cable approximately as shown in the drawing. If you will not be installing the battery option at this time, leave a loop of the cable in the indicated position. Secure the ATU control cable to the speaker and/or battery wiring using at least three of the supplied nylon cable ties.
- Thread the binding post into the ground connector, E1 on the ATU control board, through the top cover's **GND** hole. Tighten E1 using the large hex wrench supplied with the K2 as a lever. Insert either end of the hex wrench into the wire-hole in the binding post, and tighten it until the serrated edge of the binding post digs into the paint. Use an ohmmeter to verify that the binding post shows a very low resistance ( $< 1 \Omega$ ) to the top cover. If the resistance is high, carefully scrape some of the paint away by hand.



**Check the orientation of J7 and J8 carefully as described below before turning on power.**

- Connect the ATU RF cable (J7) to the K2 RF board at P6 (**AUX RF**). The notch in J7's connector housing must grip the locking tab of P6. Both the locking tab and notch should face the K2 front panel. **Make sure you have not plugged J7 into the internal battery connector on the RF board (P3).**
- Connect the ATU's control cable (J8) to P4 on the K2 Control board (**AUX I/O**). The green wire (indicated by the arrow on J8) corresponds to pin 2 of P4, and that end of J8 should be closest to the top edge of the K2 Control board. **Make sure that J8 is mated with all 10 pins of P4.**
- Examine both ends of the ATU's control and RF cables for shorted or loose wires.

### **Bridge Null Adjustment (C55)**

- Connect a 50- $\Omega$  dummy load rated at 5 watts or higher to the ATU's **Ant. 1** jack.
- Connect a power supply to the K2 and turn on power. (Do not install the top cover at this time.)
- Select the 40 meter band (7000-7300 kHz). Set the K2's POWER control for about 5 watts.
- If the ANT 2 annunciator is ON, tap the **ANT 1/2** button to turn it OFF. This will select antenna 1.
- Using the menu, change the ATU mode to **CALn** (Null). **Exit the menu** before proceeding.
- Turn the FWD and REFL potentiometers on the ATU module fully clockwise (R1 and R2). Set C55 so that its adjustment slot is parallel to the K2's rear panel.

**Note:** When **TUNE** is activated in the following step, the display will show *reflected voltage* in millivolts (e.g., **075 ATU**). If C55 is not yet close to the proper position, you'll see **HI** instead of a number. You should be able to get a reading of **010** or lower when C55 is properly adjusted.

- Locate a small insulated-handle screwdriver, and prepare to adjust C55 on the ATU module. Hold in the **TUNE** button and release it when you see the display change. Adjust C55 for an indication as close as possible to **000**. Tap or hold **TUNE** again to cancel the **CALn** display and return to receive mode.
- You should find a **000** indication (approx.) over a small range of C55's rotation. Position C55 at approximately the middle of this range, repeating the previous step as needed. (Note: Due to stray capacitance on the L-C board, you may not see a **000** indication if you try to use **CALn** on higher bands.)

- Set up your DMM to read DC volts (20 or 30 volt scale).
- On the bottom of the KAT2 control board, locate a pad labeled "B". Just to the left of this pad you'll see the round pad for pin 1 of U4 (LM358). (You'll know you have the right round pad if it's part of a group of 8 pads, 7 of which are square.) Touch your DMM's (+) probe to this pad. Connect your DMM's (-) probe to any ground point on the K2.
- In receive mode, the voltage at this test point must be 0 volts. If not, trace backwards through the circuit to find where the voltage is coming from.
- Go into TUNE mode briefly. At 5 watts, the voltage should be between 3 and 4 volts. If it is much lower or higher than this, you probably have a wiring error in the SWR bridge. Remove the KAT2 control board from the L-C board and check the wiring of T1. Make sure T1's leads are properly stripped.
- Once you have the correct voltage indicated at U4 pin 1 in TUNE mode, install the 47-ohm resistor at R6 (yellow-violet black). The two pads for R6 can be found looking at the bottom of the KAT2 control board. First, locate a pad at one end of the board labeled "6V". The pads for R6 are above and below the "6V" label. R6 can be installed on either side of the board (the component outline is located on the top, the side with the microprocessor, etc.).

### Power Calibration (R1 and R2)

- Connect a *known accurate* wattmeter between the ATU's Ant. 1 jack and a 50- $\Omega$  dummy load. Use short, low-loss coax cables. (An alternative to using an external wattmeter is to use an RF probe and DMM connected to the dummy load. The reading shown on the DMM's DC volts display can be converted to power using the formula  $P = V^2 / R$ , where  $R = 50$ . Example: 15.8 V on the DMM = about 5 watts.)
- Select the 40 meter band (7000-7300 kHz). Set the K2's POWER control for 5.0 watts.
- Tap the **ANT 1/2** button if necessary to make sure that the ANT 2 annunciator is OFF.
- Using the menu, change the ATU mode to **CALP** (calibrate power). Exit the menu.

**Note:** The ATU's power display shows both forward (F) and reflected (r) power, e.g. **5.0F 0.0r** (5.0 watts forward, 0.0 watts reflected). After calibration, accuracy will typically be +/- 0.5 watts.

- Locate a small flat-blade screwdriver and prepare to adjust R1 on the ATU module. Hold in the **TUNE** button and release it when you see power displayed. Adjust R1 for a power indication that matches the reading of the external wattmeter. Hold **TUNE** again to return to receive mode.
- Repeat the previous step as needed until the ATU reads the same as the external wattmeter.
- Set R2 to exactly the same position as R1 (visually). This will provide adequate reflected-power reading accuracy. You can position R2 more accurately by measuring the resistance from the wiper (center terminal) to ground. Rotate R2 until its wiper-to-ground resistance closely matches that of R1.
- Using the menu, change the ATU mode to **CALS** (calibrate SWR). Exit the menu. Verify that the SWR is about 1:1 on each band using **TUNE**. Make sure that ANT 1 is selected on each band. Due to stray capacitance, the SWR may not be exactly 1.0:1 on the highest bands; this will not affect performance.

## Final Assembly

- Turn off the K2. *If you have the 160-meter option installed:* make sure it is pressed into its socket and is secured to its standoff. If the capacitors on the module stick up above the toroids, fold them down at an angle. Also, the ground lug on the receive antenna jack must be rotated down towards the K2's RF board.
- Re-install the top cover, being careful to route the ATU, battery, and speaker cables so that they do not come too close to the transmitter or synthesizer areas of the K2 RF board (back right and front left, respectively). Also, make sure the ATU RF cable is not pinched between panels at the back of the K2.
- Secure the top cover with six screws.

## Using The ATU

**Caution: Never touch an exposed antenna wire when transmitting.** If you ever feel an RF burn or shock when touching the K2 chassis, key, or microphone, see **Antenna Considerations**.

### *Basic ATU Operation (AUTO Mode)*

To get started with the KAT2:

- Use the K2 menu to select **ATU AUTO** mode, then exit the menu.
- Connect one or two antennas to the ATU's antenna jacks.
- Tap the **ANT 1/2** button to select Antenna 1 or Antenna 2. The antenna switch works in all modes.
- Reduce power to 2-3 watts using the POWER control to maximize the life of the ATU relays (this may also be done automatically, as explained later)
- Hold **TUNE**. SWR will be displayed while the ATU matches the transmitter to the load (1-5 sec typ.).
- Watch the display for the final SWR reading. The ATU itself will terminate **TUNE** mode.
- Set power output back to the desired level.
- If you move significantly off frequency you may need to tune-up the antenna again.
- ATU settings are stored in EEPROM, then recalled instantly when you change bands or antennas.

### *Displaying Forward and Reflected Power (POUT Mode)*

The wattmeter in the ATU, once calibrated, is much more useful than the K2's standard RF detector. It will provide accurate readings even when the load is *not* 50 ohms. Since the ATU's wattmeter output is fed back to the K2, your POWER control settings will now be more accurate, too.

To use the wattmeter:

- Change the **ATU** mode from **AUTO** to **POUT**. The antenna tuner's L and C settings will not change. (If you have revision 1.05 or later of the K2 main microcontroller firmware, you can hold **DISPLAY** and **TUNE** together to force the ATU into **POUT** mode.)
- Hold **TUNE**; forward and reflected power will be displayed until you hold **TUNE** again to cancel.
- If the actual power output is lower than you set with the POWER control, you may have the POWER control set higher than the K2 is capable of on the present band. **Always set POWER to a level at or below the maximum that the K2 can achieve. Use lower power when running from a battery.**

### ***Displaying SWR (x.x-1 Mode)***

To display SWR following any auto-tune:

- Use the menu to change the **ATU** mode from **AUTO** to **X.X-1** (the most recent SWR reading).  
Example: **1.5-1** is the same as 1.5:1. The antenna tuner's L and C settings will not change.
- Hold **TUNE**; the present SWR will be displayed until you hold **TUNE** again to cancel.

### ***Bypassing the Matching Network (CALs and CALP Modes)***

You can use the ATU as an SWR bridge or wattmeter only, with the matching network disabled. You might want to do this if you're using an external antenna tuner or a resonant antenna.

To bypass the matching network, use **CALS** (for SWR display) or **CALP** (for power display). In both cases, the L and C in the matching network will be set to *approximately* zero. There is some stray L and C present that will slightly affect SWR readings on the higher bands.

As an alternative to **CALS** or **CALP**, you can tune up the ATU into a 50-ohm dummy load on each band using **AUTO** mode. This will cancel out most or all of the stray inductance and capacitance so that you can connect your external tuner or resonant antenna. After tuning up on all bands, put the ATU into **POUT** or SWR (**x.x-1**) mode (described earlier). The matching network settings will not change.

### ***Important ATU Operating Tips***

- To maximize life of the ATU's relays and avoid **HI CUR** warnings, we recommend reducing power to 3 watts before using **TUNE** in **AUTO** mode (antenna tune-up). This is done for you automatically if you have K2 firmware revision 1.05 or later; see below.
- Two antennas can be compared very quickly using the **ANT 1/2** button once they're both tuned.
- If the tuner doesn't get the SWR quite to 1:1, you can try holding **TUNE** a second time.  
However, a 1:1 SWR is *not* necessary for good performance. See **Antenna Considerations**.
- If you switch between the various ATU modes frequently, you may wish to assign the **ATU** menu entry to **PF1** or **PF2** (see the K2 Owner's Manual for details).
- If you tap **DISPLAY** to show the voltage/current display, then hold **TUNE**, you'll see the transmit-mode battery voltage and current drain, not SWR or power output. The ATU settings will not change.
- You can still use the RX antenna switch on the 160-m option module, which is independent of the ATU.
- The ATU menu entry can be used to display the current values of L, C, network type, and other data. See **ATU Modes** for a full listing of all status displays.

### ***If you have K2 Main Microcontroller firmware revision 1.05 (or later):***

- **TUNE** mode automatically reduces power to 3 watts if you had the **POWER** control set higher than this. After auto-tune, the power level is restored to your **POWER** control setting. During tune-up, the bargraph will show 3 bars as a reminder that power has been reduced.
- Holding **DISPLAY** and **TUNE** together forces the ATU to display forward/reflected power even if the tuner is in **AUTO** (or **ALT**) mode. This is useful when you want to simply check power output without doing an auto-tune.

## Antenna Considerations

An antenna tuner will not *improve* your antenna—it can only tune out the antenna's reactance. In general, use the longest, highest antenna you can put up, and keep the antenna away from power lines and buildings. The KAT2 will work with a wide variety of antennas, some of which are covered below.

A good ground system will provide efficient radiation, better antenna loading characteristics, less RF on the chassis, and safer operation. Use a minimum of two radials cut for each band, or at least one or two very long radials. House plumbing and electrical wiring will provide an adequate ground in some cases, but tuned radials are always preferred

### *Do I Need a 1:1 SWR?*

No. This is a common misconception. For example, if the SWR is 2:1, the loss in transmitted signal strength will be around 0.5 dB. Of course the KAT2 always tries to hit 1:1, and with most antennas it will find an SWR below 1.5:1 on most bands. But even if the SWR ends up at 3:1, the difference in on-air signals will often be undetectable. If the SWR is higher than 3:1 you may want to try **ALT** mode (see **Hard-to-match Antennas**).

### *Resonant and Multi-Band Antennas*

The KAT2 will tune up nearly any antenna cut for 40 or 80 meters on all bands. With multi-band antennas such as beams or verticals, the KAT2 will typically improve the match on each band used. It will also allow operation on additional bands. However, when you tune-up a beam on one of these "no extra charge" bands, it is likely to become a no-gain or low-gain antenna with an unpredictable radiation pattern.

One useful trick with coax-fed antennas is to short the center conductor and braid together and treat the coax as if it were a random wire. This will often allow beams and quads to be used down to 160 meters.

### *Random-Length Antennas*

Nearly any piece of wire over about 30 feet long and end-fed can be tuned up on 80-10 meters, and probably 160 meters as well. Results will vary depending on the actual length of the antenna and whether you have a useful ground system. Watch for RF problems, which are more likely with end-fed antennas, especially if they're exactly a half-wavelength long or any multiple thereof on a given band.

The KAT2 also works well with loops. An untuned loop of wire 30 feet long (or longer), formed into any shape, can be matched on most of the higher bands. Loops can be very narrow-banded if they're small in relation to frequency, so you may need to re-tune after relatively small frequency excursions. Use **ALT** mode if necessary (see **Hard-to-match Antennas**, below).

If possible, put up *two* wire antennas (especially for Field Day, etc.). You can then do quick comparison tests as often as necessary using **ANT 1/2**. With two orthogonal long-wires, differences of one to three S-units may be observed on some signals.

### *Hard-to-match Antennas (ALT Mode)*

You may find that a particular antenna just can't be matched using **AUTO** mode. This is especially likely with electrically short antennas, such as mobile whips. In this case, try the **ALT** tuning mode. **ALT** can take longer because it tries more L/C combinations, but it may be the only choice in difficult cases. If you experience an RF burn or feedback problems, **ALT** tuning mode won't help. Instead, you may need a balun or RF isolation choke (see below). Also try increasing the length of the ground radials and/or antenna.

**Note: Avoid connecting a heavy whip antenna fitted with a BNC plug directly to the ATU.** The whip will stress the BNC connector, and could even damage the ATU's Control board. Instead, mount the whip on a metal plate, tripod, etc. Connect it to the ATU's antenna jack with hookup wire rather than coax if it's only a few feet away. A good ground will dramatically improve the performance of a short whip.

### *Using Baluns and RF Isolation Chokes*

A balun is a device that converts a balanced antenna or feedline to unbalanced (one side grounded) to work with your ATU. A balun can also perform an impedance transformation and/or help isolate the antenna from the tuner to reduce RF pickup. You may need a balun if: (1) you're using balanced feedline; (2) you're having trouble matching an antenna on one or more bands; (3) you notice RF feedback or get an RF burn. A low-loss, broad-band, 4:1 balun is a good choice, and may solve all three problems. A 9:1 balun is often used with 450 or 600- $\Omega$  open-wire line, but since the tuner can handle a wide range of impedances, 4:1 may work just as well. A 1:1 balun will also work in most cases. All baluns exhibit some loss, but the loss may be negligible if the balun is used properly.

## ATU Modes

The table below lists all ATU modes, and what is displayed when **TUNE** is pressed in each mode. **AUTO** mode is used most of the time, and occasionally **ALT** or **POUT**. (With K2 firmware rev. 1.05 or later, you can hold **DISPLAY** and **TUNE** together to force **POUT** mode.) The other modes are primarily used for calibration and troubleshooting. If you see **LO P** in any mode that displays SWR, power is too low to obtain a stable SWR reading. You should increase the POWER setting if this occurs.

When you switch between **CALS** mode and **AUTO** mode, you may hear a few relays switching, since in **CALS** mode (as well as **CALP** and **CALN**) the L and C relays are all reset (L and C are zero). You'll also hear relays switching if you select the **L0-L8**, **C0-C8**, **N1**, or **N2** modes (see **Troubleshooting**).

In **AUTO** and **ALT** modes the ATU terminates **TUNE** automatically.

Mode	Description	TUNE	Mode	Description	TUNE
CALn	Used for C55 calibration; L/C = 0	mVDC	NETx	1=Cin, 2=Cout (present band/ant.)	SWR
CALP	Used for calibration of R1; L/C = 0	Power	Txxx	L-C-net combinations tried	SWR
CALS	SWR bridge only; L/C = 0	SWR	Exxx	0-199 = error (see Troubleshooting)	SWR
AUTO	Normal auto-tune mode	SWR	INIT	Turning power off/on resets all data	SWR
ALT	Alternate auto-tune mode	SWR	Fx.xx	KAT2 firmware revision, e.g. F1.00	SWR
POUT	Forward/Reverse power display	Power	L0-L8	Individual inductor selection	SWR
x.x-1	SWR from most recent tune-up	SWR	C0-C8	Individual capacitor selection	SWR
Lxx.x	Inductance, $\mu$ H (present band/ant.)	SWR	N1	Selects Cin network (L/C = 0)	SWR
Cx.xx	Capacitance, nF (present band/ant.)	SWR	N2	Selects Cout network (L/C = 0)	SWR

## Troubleshooting

**If current drain is too high or the ATU menu parameter shows "--",** verify orientation of all connections between the ATU module and the K2. You may have a connector shifted by one position, an unsoldered crimp pin, etc. Check both boards for shorts to ground, solder bridges, and unsoldered connections. Verify that the microcontroller is fully seated in its socket and is not plugged in backwards. Finally, do the voltage checks listed at the end of this section.

**If you can't get a reading of 010 or lower using CALn, or if readings seem way off,** examine all components and connections in the SWR bridge, especially T1's windings (which may be reversed or not making contact). Make sure you don't have the center conductor and shield exchanged at J7. Check continuity of wires in the control cable (J8).

**If the SWR doesn't read 1.0:1 with a 50-Ω load (or other calibrated load),** it's probably due to stray reactances (see **Bypassing the Matching Network**). C55's setting may also affect SWR accuracy.

**If you see an error message in the ATU menu (Exxx, where xxx is between 001 and 199),** chances are the EEPROM (U2) is defective or is installed backwards, or you may have a defective microcontroller.

**If tuning is erratic or you see frequent HI-CUR warnings,** you may have high RF voltages on the K2 chassis. First, try reducing power to 1 to 2 watts. If this cures the problem, you may need to improve your ground system, move the antenna farther away, or use a balun. If reducing power doesn't help, or if tuning is erratic even with a 50-Ω dummy load, you may have a communication problem between the ATU and K2. Check the value of R5 (470 Ω) and C57 (.001 μF). If these are correct, try removing the SSB adapter's microcontroller (if applicable), then re-test. If this cures the problem, contact Elecraft. If not, check each of the following components, any of which could cause problems with the AuxBus line if they were the wrong value: K2CTRL-R6 (470 Ω), K2CTRL-C12 (.001 μF), K2RF-R64 (470 Ω), K2RF-C140 (.001 μF), SSB-R12 (470 Ω), SSB-C30 (820 pF), NB-R6 (470 Ω), NB-C9 (.001 μF).

**If you receive a "distorted audio" signal report when using SSB,** you could have any of the RF problems listed above, or your microphone may be sensitive to RF. Some mics have a DTMF generator IC that can be activated by stray RF. Try disabling this IC. You may be able to simply disconnect the DC supply voltage to the mic at the Front Panel mic configuration connector. Also try grounding the mic jack.

**If a particular tune-up that you believe should work fails repeatedly,** write down the ATU parameters after the TUNE attempt, including SWR, L, C, NET, Exxx, Txxx, and the ATU firmware revision. Send this data to Elecraft for analysis. Also try **ATU INIT**.

**If the tuner is unable to achieve a low SWR on some bands,** even with several different antennas, you could have a single defective relay or component on the L-C board. Start by slowly scrolling through ATU parameters L0 through L8, C0 through C8, N1, and N2. At each setting you should hear relays switching. If you find one that doesn't, this may pinpoint a bad relay. You can also check each L and C relay using resistance measurements. For example, when you select L1, pins 4 and 7 of K1 should be shorted, and with all other Lx settings these pins should be open. When you select C1, pins 2 and 9 of K9 should be open, and with all other Cx settings, these pins should be shorted. L0 and C0 turn off all L and C relays. If the relays are all working but you suspect an inductor or capacitor, you can test each L and C by noting their effect on SWR, one at a time. Start on 10 meters. Connect a 50-ohm dummy load to one of the antenna jacks, select L0, hold TUNE, and note the SWR reading. Then select L1 and hold TUNE again; the SWR should change by a small amount. L2 should have a larger effect, etc. When the inductance selections cause the SWR to go off the scale (9.9), switch to a lower band (say 30 meters), go back to L0, then test the remaining inductors. Similarly, you can test all 8 capacitors, starting on 10 meters with C0, C1, etc. You'll know you have found the bad component if it has too large or small an effect (or no effect) on SWR, in relation to the others tested.

### DC Voltages

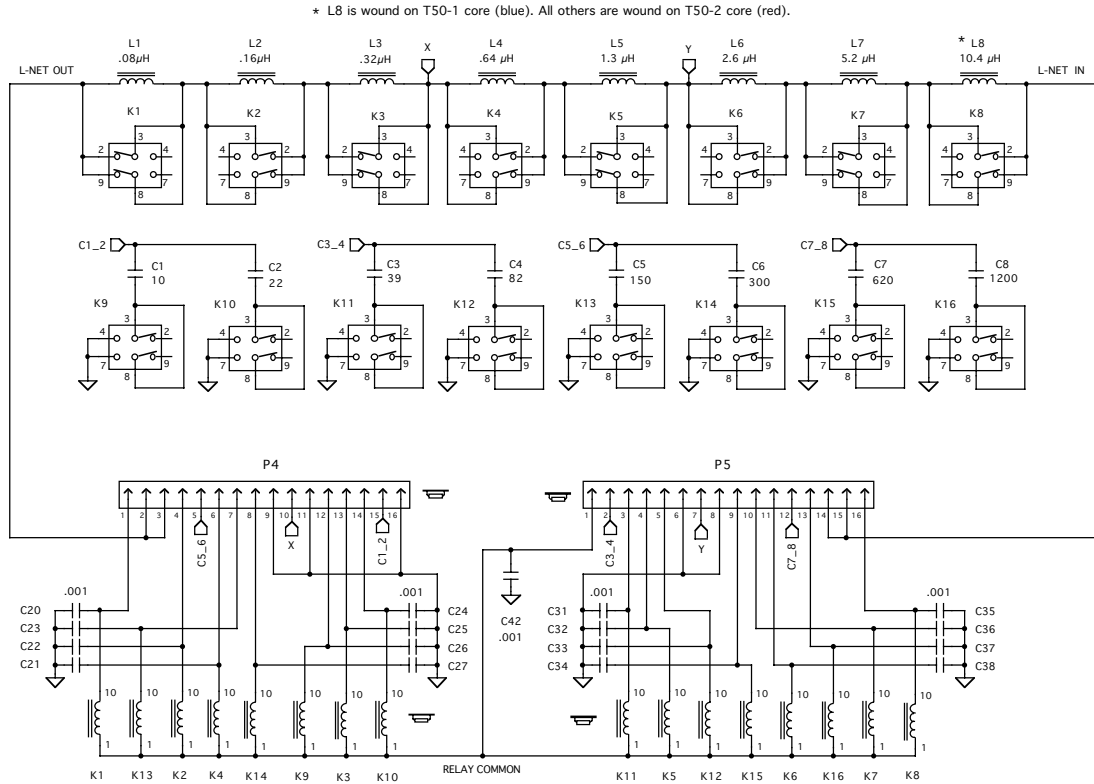
All pins of U1 through U4 should measure close to 0 volts (in receive mode), with the following exceptions: U1 pins 1, 11, 20, 32, and 39: **6 V**; U1 pin 40, **5.7 V**; U2 pins 1, 3, 7, 8: **6 V**; U3 IN, supply voltage; U3 OUT, **6 V**; U4 pin 8, **6 V**. Tolerance on all measurements is +/- 0.3 V.

## Circuit Details, KAT2 L-C Board

The L-C board provides eight series inductors and eight parallel capacitors, configured as an L-network. The capacitance can be placed at the transmitter or antenna end of the network via a relay on the Control board (see next page). Each inductor and capacitor has its own DPDT relay, with the individual sections of each relay placed in parallel for reliability. The relays are selected under control of the ATU's microcontroller. Latching relays are used so that they will not consume any power except when the operator is actually tuning. The relays are switched one at a time to keep switching current low and to provide acoustically and electrically quiet operation. This results in somewhat longer tune times.

For additional reliability, the connectors used between the L-C and control boards have gold-plated contacts, and redundant pins are used for RF signals. Bypass capacitors are used on relay control lines to prevent RF signals from reaching the microcontroller.

### L-C Board Schematic



NOTE: K1-K18 are single-coil latching relays, shown in the RESET position.  
Pins 5 and 6 of each relay are used as tie points but are not internally connected.  
⏚ = On bottom of PC board. All relays on the L-C board are on the bottom.

Elecraft KAT2 ATU L-C Board			
By W. Burdick E. Swartz	Rev. F	Date 11/27/00	Shr. 1 of 2

## Circuit Details, KAT2 Control Board

T1, D1, D2 (etc.) form a directional coupler for SWR and power measurements. This type of bridge is much more accurate than the K2's standard RF detector (D9) in the presence of non-50-ohm loads. The bridge output is buffered by op-amp U4 and routed to the K2 control board, overriding the signal from D9. The bridge outputs are also connected to A-to-D inputs on the microcontroller, U1. U1 measures these voltages and converts them to SWR or power readings, using averaging and linearization techniques to improve accuracy. The EEPROM (U2) stores network and SWR data for each band and antenna. K17 selects either a capacitor-in or capacitor-out network configuration, while K18 controls the antenna switch. U1 "sleeps" at all times except during actually antenna tune-up, so it generates no receiver noise.

### Control Board Schematic

