

ELECRAFT® SP3 Speaker

OWNER'S MANUAL



Introduction

The SP3 is a high-quality, front-facing speaker that complements Elecraft's K-Line both aesthetically and functionally. It can be used with any receiver capable of driving a 4-ohm load. The speaker is passive (non-amplified), ensuring no susceptibility to RFI in the present of a transmitted signal. The SP3's custom-built, wide-range driver has excellent sensitivity and deep bass response.

The A/B switch on the front panel of the SP3 can be used to select one of two mono sources. Further, when used in conjunction with a second SP3 this switch can be used to select one of two *stereo* sources. The Elecraft K3 and K3S transceivers take full advantage of this feature, since both provide rich binaural audio effects (AFX), as well as user-adjustable left/right balance between main and sub receiver audio.

Rear-panel input jacks accept either mono or stereo cables, simplifying station wiring. An output jack is provided for connection to a second SP3. When two SP3s are used, the A/B switch on the first unit controls source selection for both.

Specifications

Dimensions (see Figure 1)

The tilt stand height matches the Elecraft K3 and K3S transceivers, the KPA500 Amplifier and the P3 Panadapter.

Allow an additional 2" (5 cm) space behind unit for rear panel connectors.

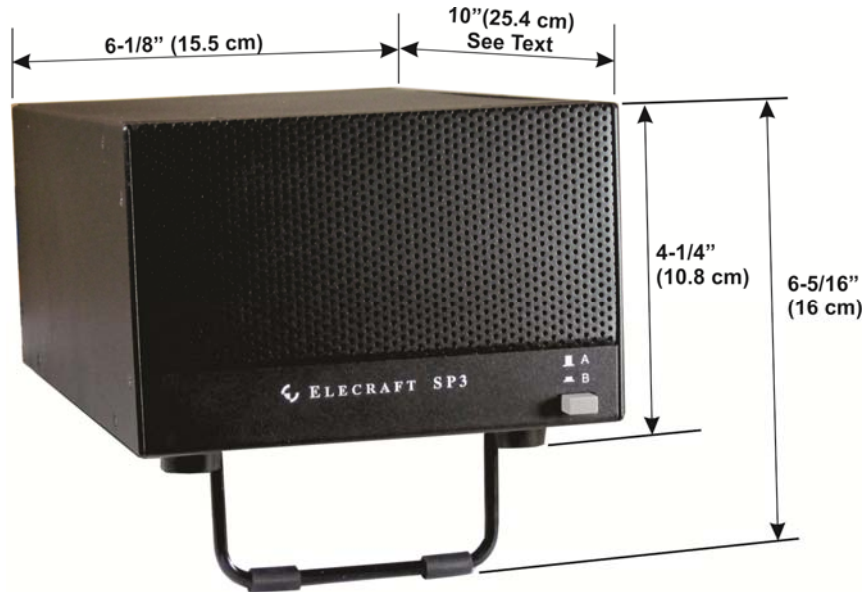


Figure 1. SP3 Speaker External Dimensions.

Weight: 4 lb, 12 oz (2.2 kg)

Speaker Size: 3" x 5" (77 x 127 mm)

Speaker Impedance: 4 ohms

Magnet Type: Neodymium

Power Handling Capability: 15 W

Frequency Response: 100-20,000 Hz

Sensitivity: 90 dB SPL

Setup

One cable is provided with your SP3 to connect it to either a K3S or K3 transceiver as described under *Monaural Setup with One SP3* below. The SP3 connectors accept standard two-circuit (stereo) audio cables with 3.5 mm male connectors.

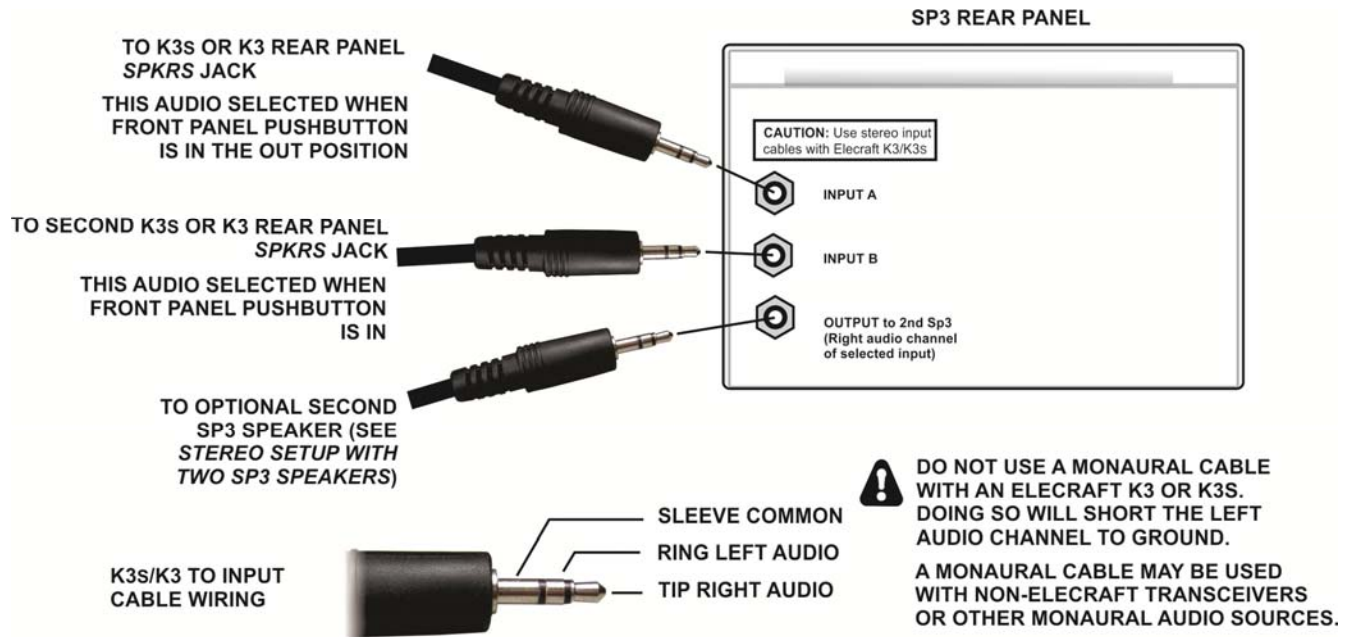


Figure 2. Rear Panel Cabling.

Monaural Setup with One SP3

- Connect the SPKRS jack on the K3S or K3 rear panel to either the **INPUT A** or **INPUT B** jack on the **SP3** using the stereo cable provided.
- If you have a second K3S or K3, use a second stereo cable to connect it to the remaining input at the SP3.
- Press the front panel switch in to select the audio at **INPUT B** or press and release it until the button is out to select audio at **INPUT A**.
- If you want to listen to both the SP3 and headphones at the same time, be sure your K3S or K3 Configuration menu is set to *CONFIG:SPKR+PHONE YES* and *CONFIG:SPKRS 2*. This will allow you to use stereo headphones for AFX (audio effects) and dual receive (if your K3S/K3 is equipped with the optional sub receiver). Of course your speaker audio will continue to be monaural. You can add a second SP3 as described below to obtain full stereo output.

Stereo Setup with Two SP3 Speakers

Set up the two SP3 speakers as shown in Figure 3:

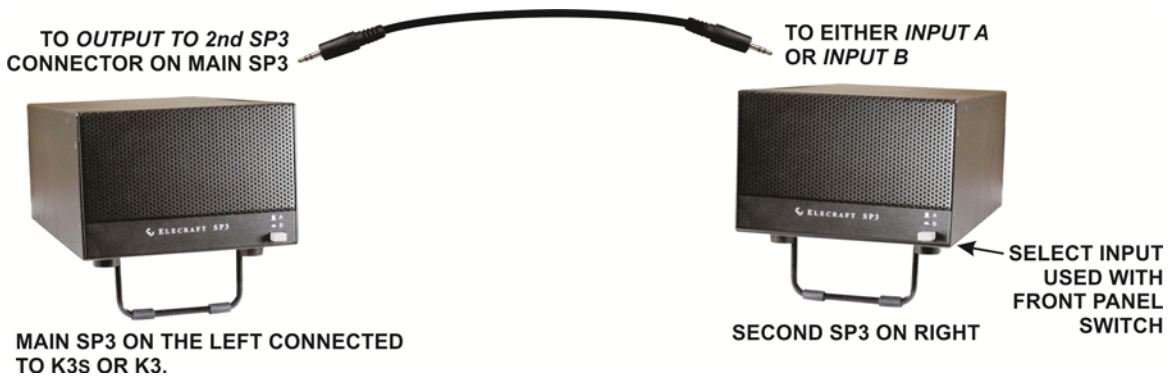


Figure 3. Optional Two SP3 Setup.

- Connect the main SP3 to your K3 or K3S as described under *Monaural Setup with One SP3* above.
- On the main SP3, plug an audio cable into the OUTPUT to 2nd SP3 jack. We recommend you use the stereo cable supplied with the SP3 although a monaural cable will work (see Figure 4).
- Plug the other end into INPUT A or INPUT B on the second SP3.
- Set the front panel pushbutton switch on the 2nd SP3 to match the input connection you selected.
- Be sure your K3S or K3 Configuration menu is set to *CONFIG:SPKRS 2*. This will allow you to hear the full stereo effect of AFX (audio effects) and dual receive (if your K3S/K3 is equipped with the optional sub receiver).

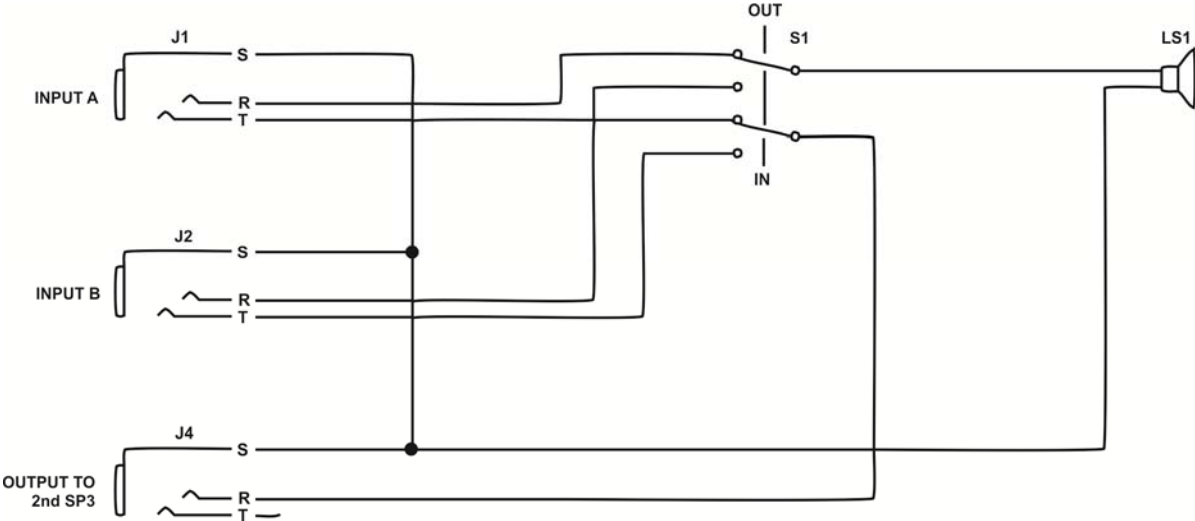
⚠ You can connect another K3 or K3S to the unused input of the second SP3 for monaural listening. Only audio connected to the main SP3 can be passed to the second SP3 for stereo listening.



⚠ A TWO-CIRCUIT (MONAURAL) CONNECTOR MAY BE USED, BUT TAKE CARE NOT TO SWITCH THAT CABLE WITH ONE OF THE INPUT CABLES TO THE MAIN SP3 AND SHORT THE LEFT CHANNEL TO GROUND. FOR THAT REASON WE RECOMMEND THAT YOU USE A STEREO CABLE.

Figure 4. Optional Second SP3 Cable.

SP3 Schematic



Customer Service and Support

Technical Assistance

You can send e-mail to k3support@elecraft.com and we will respond quickly - typically the same day Monday through Friday. Telephone assistance is available from 9 A.M. to 5 P.M. Pacific time (weekdays only) at 831-763-4211. Please use e-mail rather than calling when possible since this gives us a written record of the details of your problem and allows us to handle a larger number of requests each day.

Repair / Alignment Service (*We want to make sure everyone succeeds!*)

If necessary, you may return your Elecraft product to us for repair or alignment. (Note: We offer unlimited email and phone support to get your kit running, so please try that route first as we can usually help you find the problem quickly.)

IMPORTANT: You must contact Elecraft before mailing your product to obtain authorization for the return, what address to ship it to and current information on repair fees and turnaround times. (Frequently we can determine the cause of your problem and save you the trouble of shipping it back to us.) Our repair location is different from our factory location in Aptos. We will give you the address to ship your kit to at the time of repair authorization. *Packages shipped to Aptos without authorization will incur an additional shipping charge for reshipment from Aptos to our repair depot.*

Elecraft's 1-Year Limited Warranty

This warranty is effective as of the date of first consumer purchase (or if shipped from factory, date product is shipped to customer). It covers both our kits and fully assembled products. For kits, before requesting warranty service, you should fully complete the assembly, carefully following all instructions in the manual.

Who is covered: This warranty covers the original owner of the Elecraft product as disclosed to Elecraft at the time of order. Elecraft products transferred by the purchaser to a third party, either by sale, gift or other method, who is not disclosed to Elecraft at the time of original order, are not covered by this warranty. If the Elecraft product is being bought indirectly for a third party, the third party's name and address must be provided to Elecraft at time of order to insure warranty coverage.

What is covered: During the first year after date of purchase, Elecraft will replace defective or missing parts free of charge (post-paid). We will also correct any malfunction to kits or assembled units caused by defective parts and materials. Purchaser pays inbound shipping to Elecraft for warranty repair, Elecraft will pay shipping to return the repaired equipment to you by UPS ground service or equivalent to the continental USA and Canada. Alaska, Hawaii and outside U.S. and Canada actual return shipping cost paid by owner.

What is not covered: This warranty does not cover correction of kit assembly errors. It also does not cover misalignment; repair of damage caused by misuse, negligence, or builder modifications; or any performance malfunctions involving non-Elecraft accessory equipment. The use of acid-core solder, water-soluble flux solder, or any corrosive or conductive flux or solvent will void this warranty in its entirety. Also not covered is reimbursement for loss of use, inconvenience, customer assembly or alignment time, or cost of unauthorized service.

Limitation of incidental or consequential damages: This warranty does not extend to non-Elecraft equipment or components used in conjunction with our products. Any such repair or replacement is the responsibility of the customer. Elecraft will not be liable for any special, indirect, incidental or consequential damages, including but not limited to any loss of business or profits.