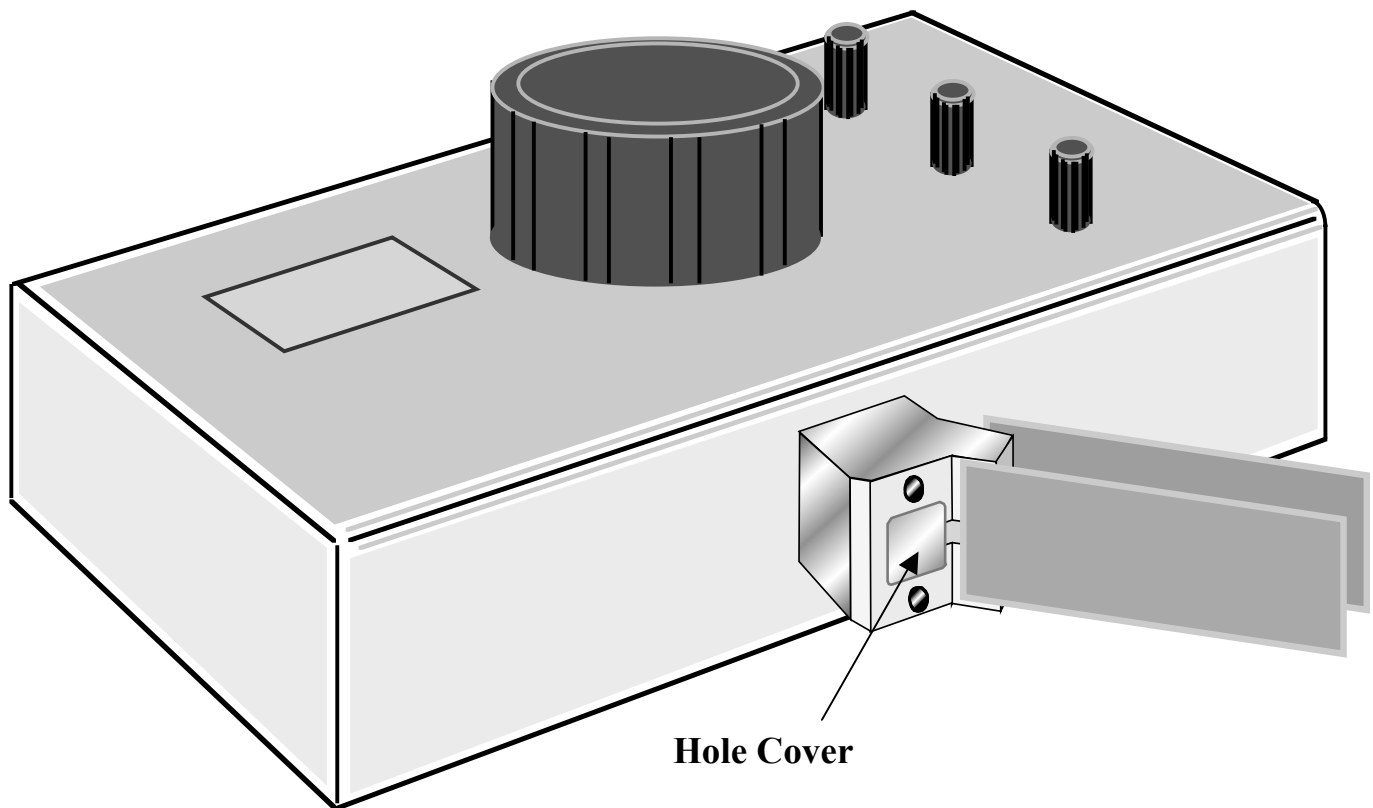


# KXPD1 MANUAL ERRATA

Rev. A-1, July 9, 2004

**PLEASE READ BEFORE YOU BEGIN ASSEMBLY**

1. Page 7, last paragraph: Change **BAND** to **MENU**.
2. Hole cover supplied: Your KXPD1 kit includes a self-adhesive label that can be used to cover the exposed leads of the 1/8th inch stereo plug. Once the paddle is assembled, attach the label in the location indicated below.



3. **Paddle use while operating "Pedestrian Mobile" (PM):** If you use the KX1 and KXPD1 while walking for extended periods, you may wish to insert a #6 internal-tooth lock washer under the head of the thumb screw. This will prevent the thumb screw from becoming loose.